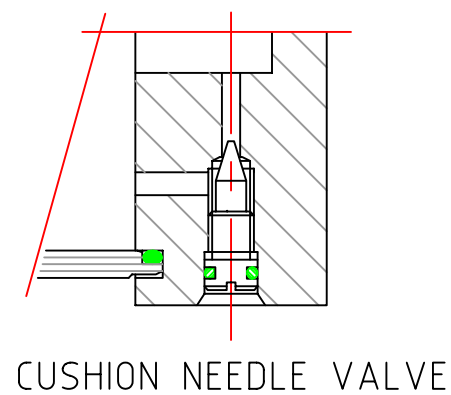
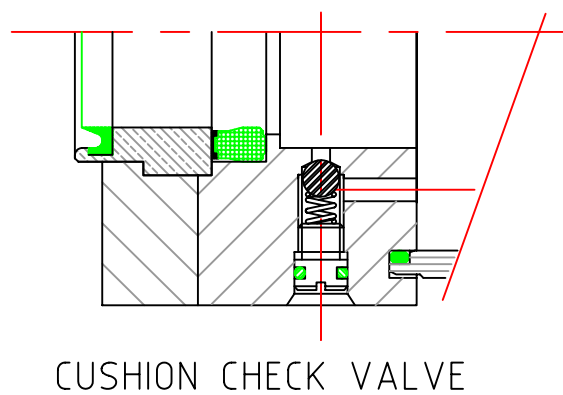
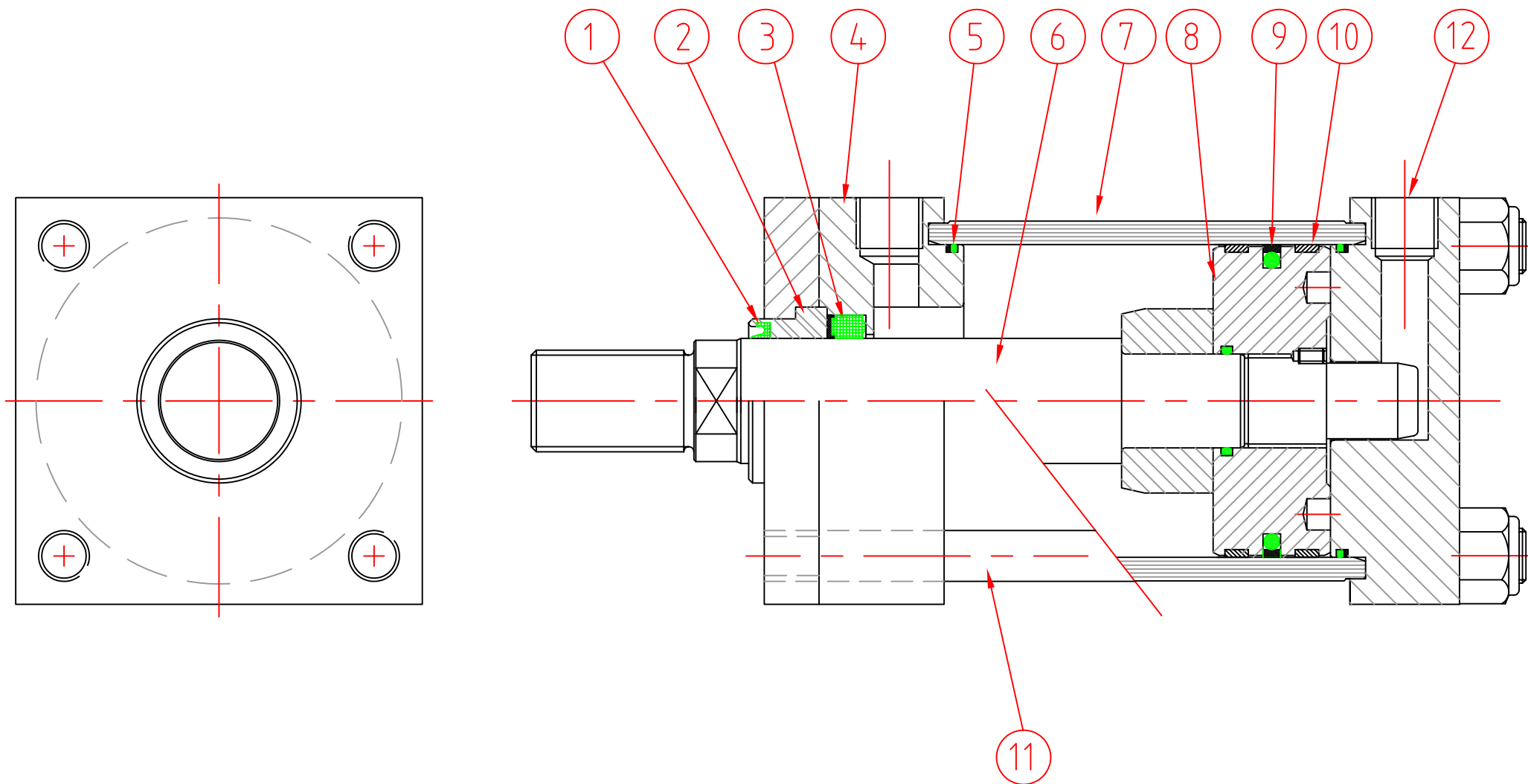


- ① PISTON ROD WIPER
PROLONGS CYLINDER & PISTON ROD LIFE
BY PREVENTING DIRT ENTERING GLAND
- ② GLAND BEARING
PHOSP. BRONZE FOR ADEQUATE LIFE
- ③ GLAND PACKING
SYNTHETIC SINGLE ACTING SEAL
- ④ CYLINDER END CAPS
ACCURATELY MACHINED FROM SOLID STEEL
PROVIDES PRECISE LOCATION FOR BARREL
- ⑤ BARREL / END CAP SEAL
AN O-RING PROVIDES SEALING AT BOTH
ENDS OF BARREL. ANTI EXTRUSION RINGS
FITTED ON SIZES HB60 AND ABOVE
- ⑥ PISTON ROD
MANUFACTURED FROM ALLOY STEEL
HARD CHROME PLATED & POLISHED
- ⑦ BARREL
CYLINDER BARREL MANUFACTURE FROM
SEAMLESS TUBE, HONED & POLISHED
TO GIVE A LONG SEAL LIFE
- ⑧ PISTON
2 PIECE PISTON WITH COMPOSITE SEAL
- ⑨ PISTON PACKING
STANDARD COMPOSITE SEAL WITH SEAR RINGS
- ⑩ PISTON
ALTERNATIVE PISTON, 1 PIECE CAST IRON
WITH SINGLE ACTING "LIP" TYPE SEALS.
- ⑪ TIE RODS
MANUFACTURED FROM HIGH TENSILE ALLOY
STEEL. ON CYLINDERS HB80 & ABOVE, MULTIPLE
TIE RODS ARE USED
- ⑫ CYLINDER PORTS
B.S.P.P. THREADS ARE STANDARD. SPECIAL
PORTS MAY BE SPECIFIED BY CUTOMER

CUSHION ASSEMBLY (IF APPLICABLE)

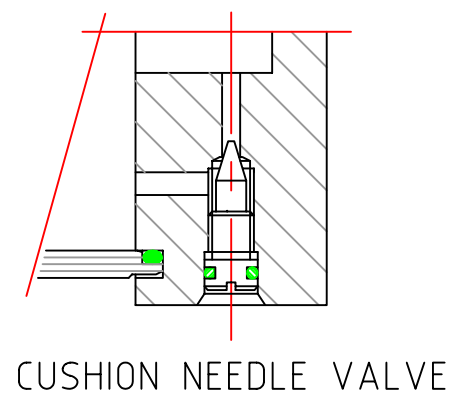
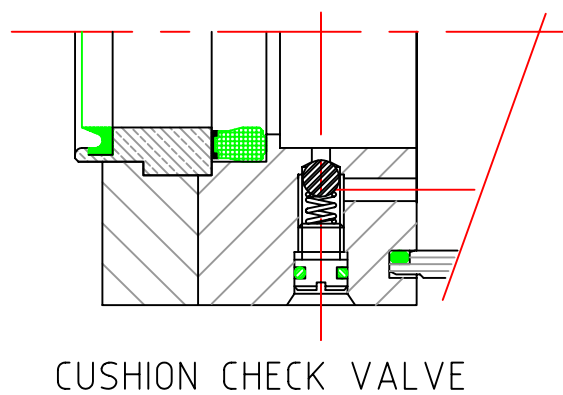


NOMINAL WORKING PRESSURE
3000 P.S.I. (207 Bar.)

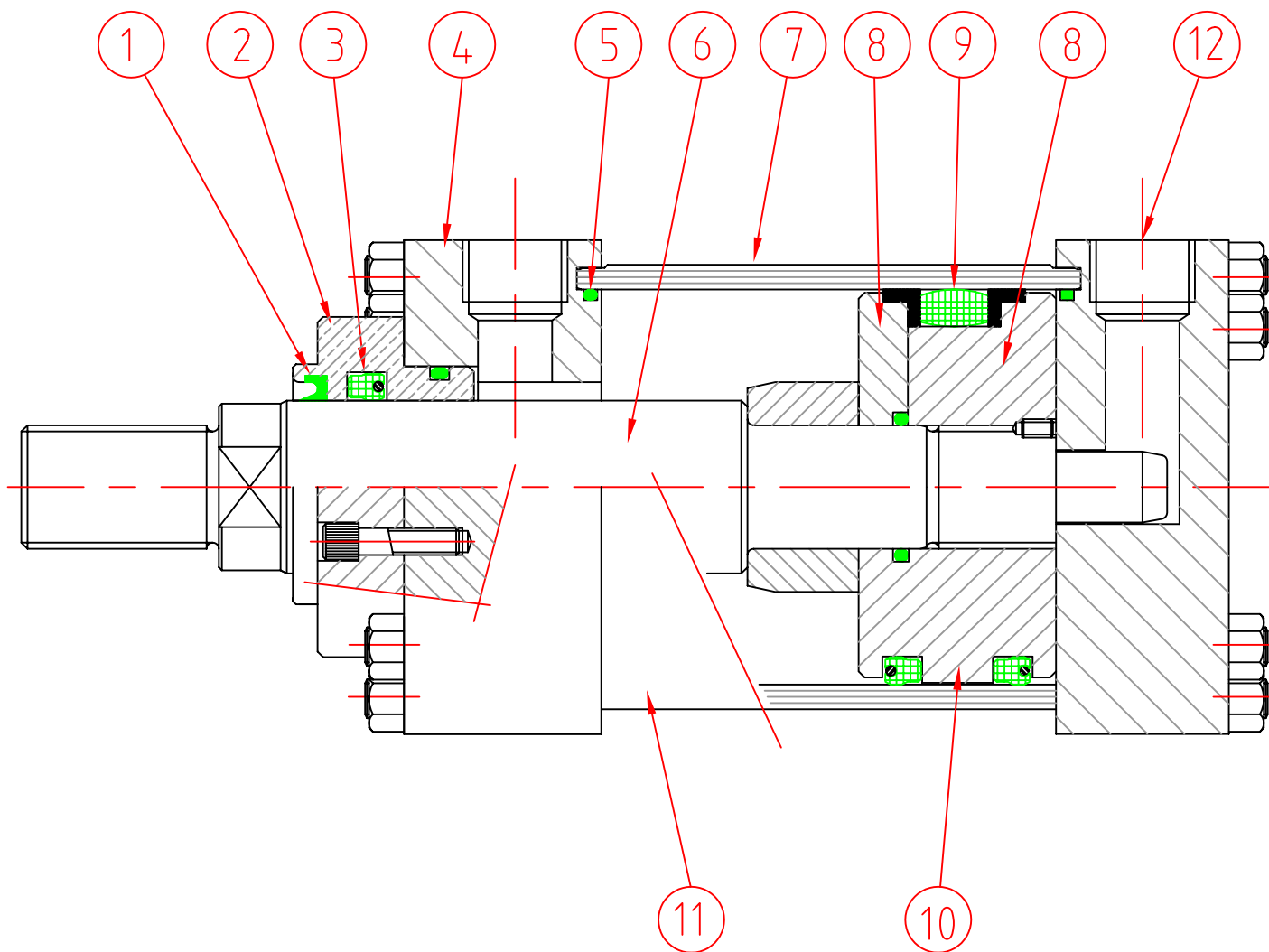
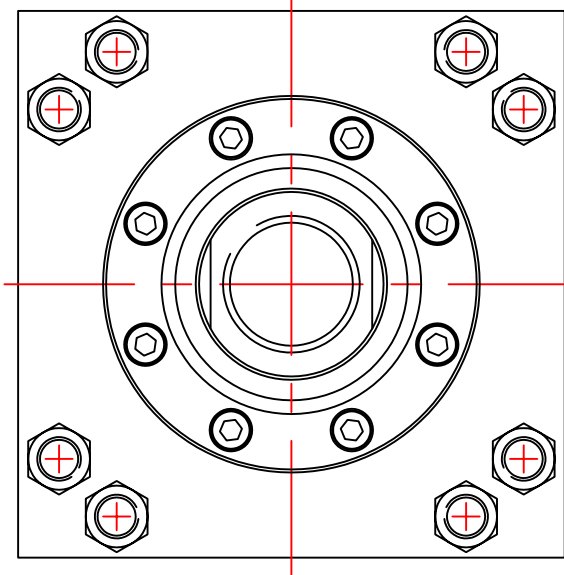


- ① PISTON ROD WIPER
PROLONGS CYLINDER & PISTON ROD LIFE
BY PREVENTING DIRT ENTERING GLAND
- ② GLAND BEARING
PHOSP. BRONZE FOR ADEQUATE LIFE
- ③ GLAND PACKING
SYNTHETIC SINGLE ACTING SEAL
- ④ CYLINDER END CAPS
ACCURATELY MACHINED FROM SOLID STEEL
PROVIDES PRECISE LOCATION FOR BARREL
- ⑤ BARREL / END CAP SEAL
AN O-RING PROVIDES SEALING AT BOTH
ENDS OF BARREL. ANTI EXTRUSION RINGS
FITTED ON SIZES HB50 AND ABOVE
- ⑥ PISTON ROD
MANUFACTURED FROM ALLOY STEEL
HARD CHROME PLATED & POLISHED
- ⑦ BARREL
CYLINDER BARREL MANUFACTURE FROM
SEAMLESS TUBE, HONED & POLISHED
TO GIVE A LONG SEAL LIFE
- ⑧ PISTON
1 PIECE PISTON WITH COMPOSITE SEAL
- ⑨ PISTON PACKING
STANDARD DOUBLE ACTING SEAL
- ⑩ PISTON WEAR RINGS
ALTERNATIVE PISTON, 1 PIECE CAST IRON
WITH SINGLE ACTING "LIP" TYPE SEALS.
- ⑪ TIE RODS
MANUFACTURED FROM HIGH TENSILE ALLOY
STEEL. ON CYLINDERS HB80 & ABOVE, MULTIPLE
TIE RODS ARE USED
- ⑫ CYLINDER PORTS
B.S.P.P. THREADS ARE STANDARD. SPECIAL
PORTS MAY BE SPECIFIED BY CUTOMER

CUSHION ASSEMBLY (IF APPLICABLE)

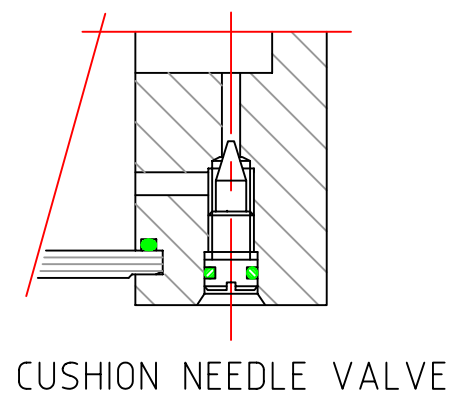
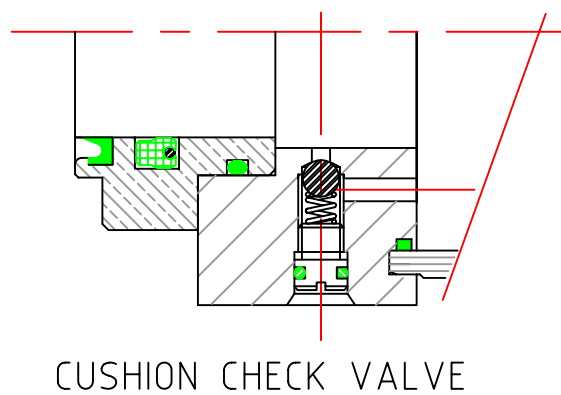


NOMINAL WORKING PRESSURE
3000 P.S.I. (207 Bar.)



- ① PISTON ROD WIPER
PROLONGS CYLINDER & PISTON ROD LIFE
BY PREVENTING DIRT ENTERING GLAND
- ② GLAND BEARING
PHOSP. BRONZE FOR ADEQUATE LIFE
- ③ GLAND PACKING
SYNTHETIC SINGLE ACTING SEAL
- ④ CYLINDER END CAPS
ACCURATELY MACHINED FROM SOLID STEEL
PROVIDES PRECISE LOCATION FOR BARREL
- ⑤ BARREL / END CAP SEAL
AN O-RING WITH ANTI EXTRUSION RING
PROVIDES SEALING AT BOTH ENDS OF BARREL
- ⑥ PISTON ROD
MANUFACTURED FROM ALLOY STEEL
HARD CHROME PLATED & POLISHED
- ⑦ BARREL
CYLINDER BARREL MANUFACTURE FROM
SEAMLESS TUBE, HONED & POLISHED
TO GIVE A LONG SEAL LIFE
- ⑧ PISTON
2 PIECE PISTON WITH COMPOSITE SEAL
- ⑨ PISTON PACKING
STANDARD COMPOSITE SEAL WITH SEAR RINGS
- ⑩ PISTON
ALTERNATIVE PISTON, 1 PIECE CAST IRON
WITH SINGLE ACTING "LIP" TYPE SEALS.
- ⑪ TIE RODS
MANUFACTURED FROM HIGH TENSILE ALLOY
STEEL
- ⑫ CYLINDER PORTS
B.S.P.P. THREADS ARE STANDARD. SPECIAL
PORTS MAY BE SPECIFIED BY CUTOMER

CUSHION ASSEMBLY (IF APPLICABLE)



NOMINAL WORKING PRESSURE
3000 P.S.I. (207 Bar.)