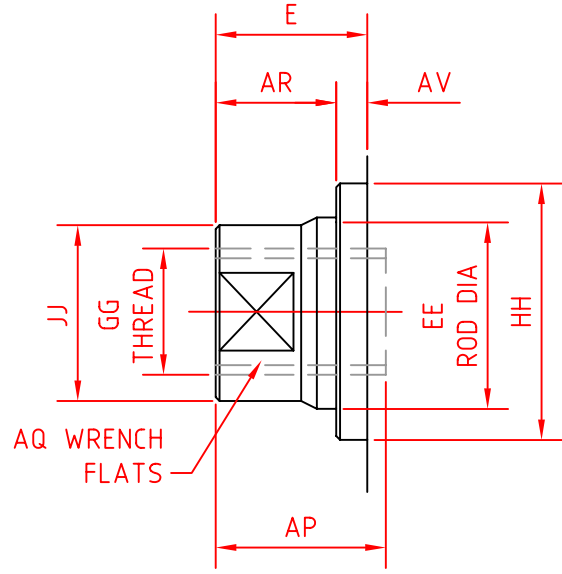
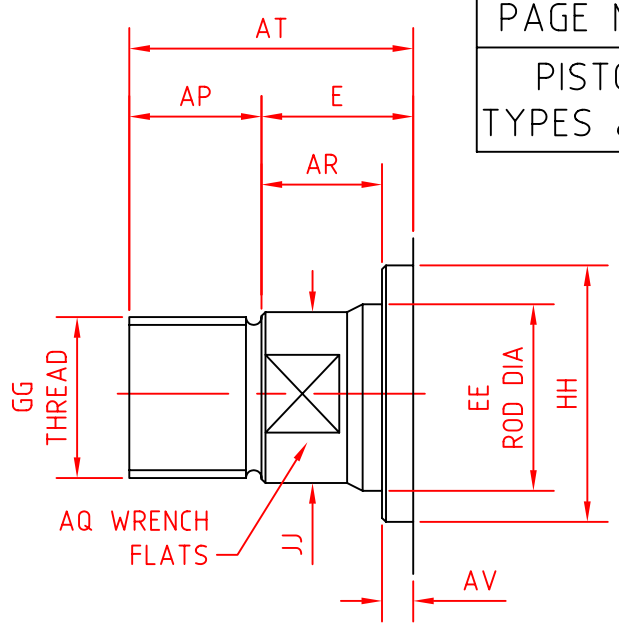


TYPE "A"

SUPPLIED AS STANDARD
IF ROD END NOT SPECIFIED



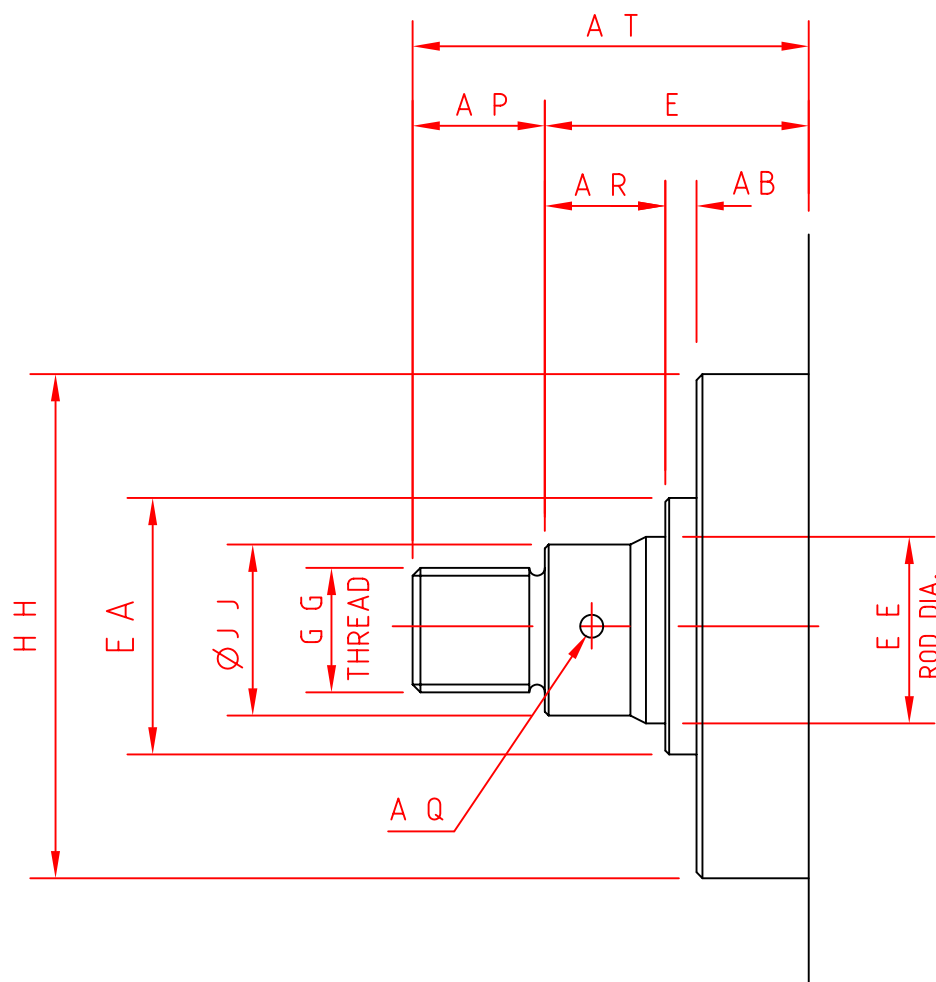
TYPE "B"



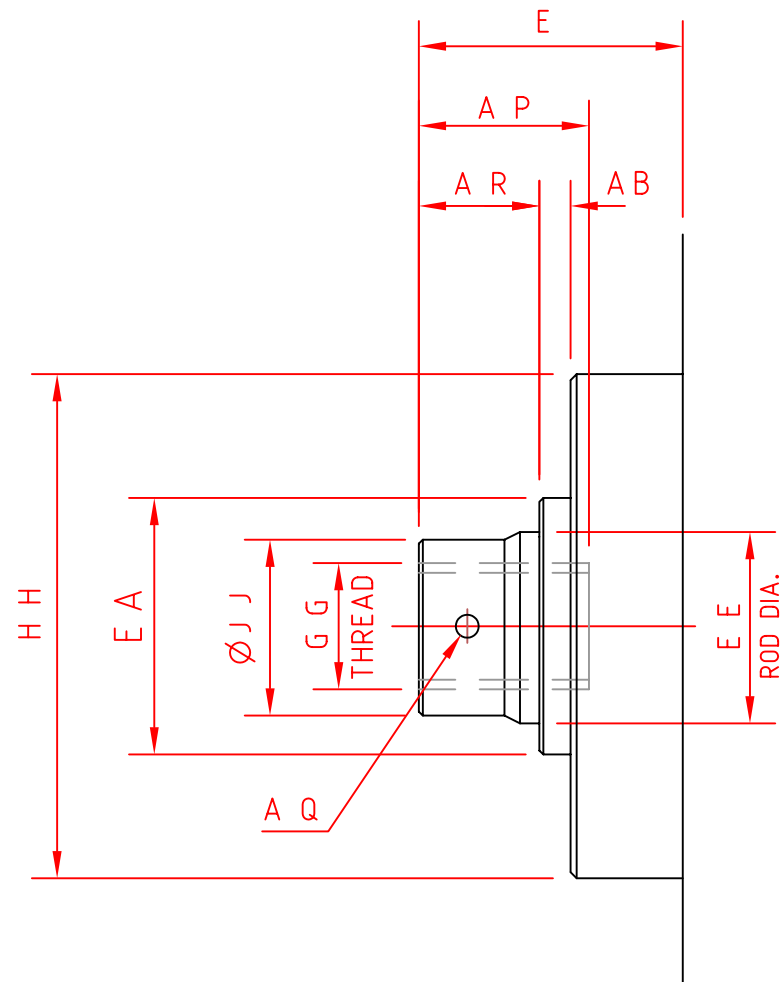
TYPE "C"

NOTE. TO USE GLAND HH AS LOCATION
USE BS1916 H8 FIT FOR HOLE

CYLINDER SIZE	ROD DIA EE	FF	GG	AP	HH	AR	AQ	AT	JJ	AV	E
HB 15 1.500" BORE	0.625" STD 15.87	1/2"-20	7/16"-20	0.75" 19.05	1.13" 28.57	0.38" 9.52	0.50" 12.70	1.38" 34.92	0.56" 14.28	0.25" 6.35	0.63" 15.87
	1.000" 25.40	7/8"-14	3/4"-16	1.13" 28.57	1.50" 38.10	0.50" 12.70	0.88" 22.22	2.13" 54.37	0.94" 23.81	0.50" 12.70	1.00" 25.40
HB 20 2.000" BORE	1.000" STD 25.40	7/8"-14	3/4"-16	1.13" 28.57	1.50" 38.10	0.50" 12.70	0.88" 22.22	1.88" 47.62	0.94" 23.81	0.25" 6.35	0.75" 19.05
	1.375" 34.92	1.1/4"-12	1"-14	1.63" 41.27	2.00" 50.80	0.63" 15.87	1.13" 28.57	2.63" 66.67	1.31" 33.33	0.38" 9.52	1.00" 25.40
HB 25 2.500" BORE	1.000" STD 25.40	7/8"-14	3/4"-16	1.13" 28.57	1.50" 38.10	0.50" 12.70	0.88" 22.22	1.88" 47.62	0.94" 23.81	0.25" 6.35	0.75" 19.05
	1.375" 34.92	1.1/4"-12	1"-14	1.63" 41.27	2.00" 50.80	0.63" 15.87	1.13" 28.57	2.63" 66.67	1.31" 33.33	0.38" 9.52	1.00" 25.40
	1.750" 44.45	1.1/2"-12	1.1/4"-12	2.00" 50.80	2.38" 60.32	0.75" 19.05	1.50" 38.10	3.25" 82.55	1.69" 42.86	0.50" 12.70	1.25" 31.75
HB 32 3.250" BORE	1.375" STD 34.92	1.1/4"-12	1"-14	1.63" 41.27	2.00" 50.80	0.63" 15.87	1.13" 28.57	2.50" 63.50	1.31" 33.33	0.25" 6.35	0.88" 22.22
	1.750" 44.45	1.1/2"-12	1.1/4"-12	2.00" 50.80	2.38" 60.32	0.75" 19.05	1.50" 38.10	3.13" 79.37	1.69" 42.86	0.38" 9.52	1.13" 28.57
	2.000" 50.80	1.3/4"-12	1.1/2"-12	2.25" 57.15	2.63" 66.67	0.88" 22.22	1.69" 42.86	3.50" 88.90	1.94" 49.21	0.38" 9.52	1.25" 31.75
HB 40 4.000" BORE	1.750" STD 44.45	1.1/2"-12	1.1/4"-12	2.00" 50.80	2.38" 60.32	0.75" 19.05	1.50" 38.10	3.00" 76.20	1.69" 42.86	0.25" 6.35	1.00" 25.40
	2.000" 50.80	1.3/4"-12	1.1/2"-12	2.25" 57.15	2.63" 66.67	0.88" 22.22	1.69" 42.86	3.38" 85.72	1.94" 49.21	0.25" 6.35	1.13" 28.57
	2.500" 63.50	2.1/4"-12	1.7/8"-12	3.00" 76.20	3.13" 79.37	1.00" 25.40	2.06" 52.32	4.38" 111.12	2.38" 60.32	0.38" 9.52	1.38" 34.92
HB 50 5.000" BORE	2.000" STD 50.80	1.3/4"-12	1.1/2"-12	2.25" 57.15	2.63" 66.67	0.88" 22.22	1.69" 42.86	3.38" 85.72	1.94" 49.21	0.25" 6.35	1.13" 28.57
	2.500" 63.50	2.1/4"-12	1.7/8"-12	3.00" 76.20	3.13" 79.37	1.00" 25.40	2.06" 52.32	4.38" 111.12	2.38" 60.32	0.38" 9.52	1.38" 34.92
	3.000" 76.20	2.3/4"-12	2.1/4"-12	3.50" 88.90	3.75" 95.25	1.00" 25.40	2.63" 66.67	4.88" 123.82	2.88" 73.02	0.38" 9.52	1.38" 34.92
	3.500" 88.90	3.1/4"-12	2.1/2"-12	3.50" 88.90	4.25" 107.95	1.00" 25.40	3.00" 76.20	4.88" 123.82	3.38" 85.72	0.38" 9.52	1.38" 34.92
HB 60 6.000" BORE	2.500" STD 63.50	2.1/4"-12	1.7/8"-12	3.00" 76.20	3.13" 79.37	1.00" 25.40	2.06" 52.32	4.25" 107.95	2.38" 60.32	0.25" 6.35	1.25" 31.75
	3.000" 76.20	2.3/4"-12	2.1/4"-12	3.50" 88.90	3.75" 95.25	1.00" 25.40	2.63" 66.67	4.75" 120.65	2.88" 73.02	0.25" 6.35	1.25" 31.75
	3.500" 88.90	3.1/4"-12	2.1/2"-12	3.50" 88.90	4.25" 107.95	1.00" 25.40	3.00" 76.20	4.75" 120.65	3.38" 85.72	0.25" 6.35	1.25" 31.75
	4.000" 101.60	3.3/4"-12	3"-12	4.00" 101.60	4.75" 120.65	1.00" 25.40	3.38" 85.72	5.25" 133.35	3.88" 98.42	0.25" 6.35	1.25" 31.75
HB 70 7.000" BORE	3.000" STD 76.20	2.3/4"-12	2.1/4"-12	3.50" 88.90	3.75" 95.25	1.00" 25.40	2.63" 66.67	4.75" 120.65	2.88" 73.02	0.25" 6.35	1.25" 31.75
	3.500" 88.90	3.1/4"-12	2.1/2"-12	3.50" 88.90	4.25" 107.95	1.00" 25.40	3.00" 76.20	4.75" 120.65	3.38" 85.72	0.25" 6.35	1.25" 31.75
	4.000" 101.60	3.3/4"-12	3"-12	4.00" 101.60	4.75" 120.65	1.00" 25.40	3.38" 85.72	5.25" 133.35	3.88" 98.42	0.25" 6.35	1.25" 31.75
	5.000" 127.00	4.3/4"-12	3.1/2"-12	5.00" 127.00	5.75" 146.05	1.00" 25.40	4.25" 107.95	6.25" 158.75	4.88" 123.82	0.25" 6.35	1.25" 31.75
HB 80 8.000" BORE	3.500" STD 88.90	3.1/4"-12	2.1/2"-12	3.50" 88.90	4.25" 107.95	1.00" 25.40	3.00" 76.20	4.75" 120.65	3.38" 85.72	0.25" 6.35	1.25" 31.75
	4.000" 101.60	3.3/4"-12	3"-12	4.00" 101.60	4.75" 120.65	1.00" 25.40	3.38" 85.72	5.25" 133.35	3.88" 98.42	0.25" 6.35	1.25" 31.75
	5.000" 127.00	4.3/4"-12	3.1/2"-12	5.00" 127.00	5.75" 146.05	1.00" 25.40	4.25" 107.95	6.25" 158.75	4.88" 123.82	0.25" 6.35	1.25" 31.75
	5.500" 139.70	5.1/4"-12	4"-12	5.50" 139.70	6.25" 158.75	1.00" 25.40	4.63" 117.60	6.75" 171.45	5.38" 136.52	0.25" 6.35	1.25" 31.75



TYPE "A"



TYPE "B"

(supplied as standard
if rod end not specified.)

CYLINDER SIZE	ROD DIA. E E	G G	E	A P	A R	A T	A B	E A	H H	J J	A Q
HB 100 10.00" BORE	4.500" 114.3	3,1/4"-12	2.94" 74.6	4.50" 114.3	1.00" 25.4	7.44" 188.9	0.44" 11.10	5.75" 146.05	8.25" 209.55	4.38" 111.12	Ø 0.50" x 0.38"Dp.
	5.000" STD. 127.0	3,1/2"-12	3.19" 80.95	5.00" 127.0	1.25" 31.75	8.19" 207.9	0.44" 11.10	6.25" 158.75	8.75" 222.25	4.88" 123.82	Ø 0.50" x 0.50"Dp.
	5.500" 139.7	4.00"-12	3.19" 80.95	5.50" 139.7	1.25" 31.75	8.69" 220.66	0.44" 11.10	7.50" 190.50	9.38" 238.12	5.38" 136.52	
	7.000" 177.8	5.00"-12	3.50" 88.9	7.00" 177.8	1.56" 39.68	10.5" 266.7	0.44" 11.10	8.25" 209.55	10.50" 266.70	6.88" 174.62	
HB 120 12.00" BORE	5.500" 139.7	4.00"-12	3.19" 80.95	5.50" 139.7	1.25" 31.75	8.69" 220.66	0.56" 14.22	7.13" 180.97	9.38" 238.12	5.38" 136.52	Ø 0.50" x 0.63"Dp.
	7.000" STD. 177.8	5.00"-12	3.50" 88.9	7.00" 177.8	1.56" 39.68	10.5" 266.7	0.56" 14.22	8.75" 222.25	11.00" 279.40	6.88" 174.62	
	8.000" 203.2	5,3/4"-12	4.00" 101.6	8.00" 203.2	2.06" 52.38	12.0" 304.8	0.38" 9.52	10.00" 254.00	12.50" 317.50	7.88" 200.02	